

급유식 로터리 스크류 컴프레서

7-110 kW/10-150 hp

Sustainable Productivity

Atlas Copco



장비 사양 GX 2-7 EP, G 7-15 EL

Compressor type	Maximum working pressure		Capacity FAD			Installed motor power		Noise level	Weight (kg/lbs)*	
	bar(e)	psi	l/s	m³/h	cfm	kW	hp	dB(A)	Pack	Full Feature
50 Hz VERSION										
GX 2 EP	10	145	4.0	14.4	8.5	2.2	3	61	165/364	200/441
GX 3 EP	10	145	5.3	19.1	11.2	3	4	61	165/364	200/441
GX 4 EP	10	145	7.8	28.1	16.5	4	5	62	165/364	200/441
GX 5 EP	10	145	10.0	36.0	21.2	5.5	7.5	64	165/364	200/441
GX 7 EP	10	145	14.0	50.4	29.7	7.5	10	66	214/472	264/582
G 7 EL	7.5	109	20.7	74.6	43.9	7.5	10	65	245/540	314/692
	10	145	18.0	64.9	38.2	7.5	10	65	245/540	314/692
	13	189	13.9	50.1	29.5	7.5	10	65	245/540	314/692
G 11 EL	7.5	109	28.7	103.3	60.8	11	15	67	257/567	326/719
	10	145	24.0	86.5	50.9	11	15	67	257/567	326/719
	13	189	19.2	69.1	40.7	11	15	67	257/567	326/719
G 15 EL	7.5	109	32.4	116.7	68.7	15	20	67	276/594	338/746
	10	145	29.1	104.8	61.7	15	20	67	276/594	338/746
	13	189	22.8	82.1	48.3	15	20	67	276/594	338/746
		189	22.8	82.1	48.3	15	20	67	276/594	338/746
60 Hz VERSION										
GX 2 EP	10.3	150	4.0	14.4	8.5	2.2	3	61	165/364	200/441
GX 4 EP	10.3	150	7.8	28.1	16.5	4	5	62	165/364	200/441
GX 5 EP	10.3	150	10.0	36.0	21.2	5.5	7.5	64	165/364	200/441
GX 7 EP	10.3	150	13.8	49.6	29.2	7.5	10	66	214/472	264/582
G 7 EL	7.4	107	21.2	76.3	44.9	7.5	10	67	245/540	314/692
	9.1	132	18.7	67.3	39.6	7.5	10	67	245/540	314/692
	10.8	157	16.4	59.1	34.8	7.5	10	67	245/540	314/692
G 11 EL	7.4	107	28.1	101.3	59.6	11	15	68	257/567	326/719
	9.1	132	25.4	91.4	53.8	11	15	68	257/567	326/719
	10.8	157	23.0	82.9	48.8	11	15	68	257/567	326/719
	12.5	181	11.7	42.1	24.8	11	15	68	257/567	326/719
G 15 EL	7.4	107	33.1	119.3	70.2	15	20	68	276/594	338/746
	9.1	132	29.6	106.7	62.8	15	20	68	276/594	338/746
	10.8	157	27.3	98.4	57.9	15	20	68	276/594	338/746
	12.5	181	23.1	83.3	49.0	15	20	68	276/594	338/746
		181	23.1	83.3	49.0	15	20	68	276/594	338/746

*Tank mounted variant.

EP: Electropneumatic, EL: BASE controller.

Standard air receiver size, GX 2-7 EP: 200 l/60 gal, G 7-15 EL: 270 l/80 gal.

Unit performance measured according to ISO 1217, latest edition.

Mean noise level (pack variant) measured according to Pneurol/Cagi PN8NTC2 test code; tolerance 3 dB(A).

다양한 옵션

Available options	GX 2-7 EP	GX 2-7 EP FF	G 7-15 EL	G 7-15 EL FF
Integrated aftercooler	-	-	○	✓
Water separator (shipped loose)	-	✓	○	✓
Timer water drain on water separator (shipped loose)	-	-	○	-
Timer drain on air receiver (tank mounted only)	○	○	○	○
Electronic no loss water drain on water separator (shipped loose)	-	✓	○	✓
Electronic no loss water drain on air receiver (500 l/120 gal tank mounted only)	○	○	○	○
Integrated DD filter kit	-	-	-	○
Integrated high performance PD filter kit	-	○	-	○
500 l/120 gal air receiver (tank mounted only)	-	-	○	○
Tropical thermostat	-	-	○	○

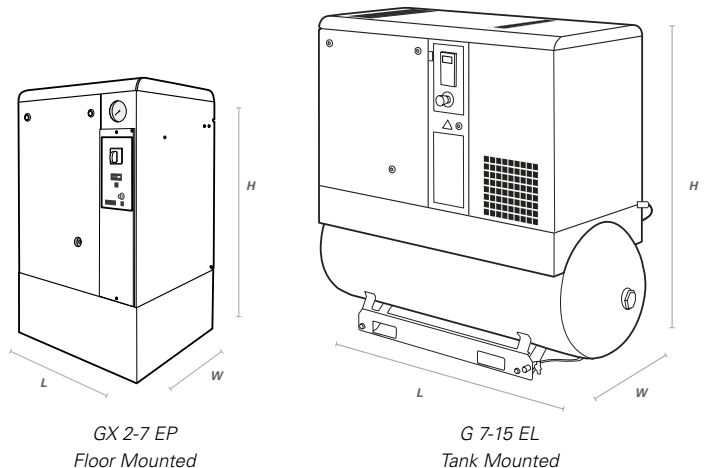
✓ Standard

○ Optional

- Not available

DIMENSIONS

	L (mm)	W (mm)	H (mm)
PACK FLOOR MOUNTED			
GX 2-7 EP	620	575/605*	975
G 7-15 EL	810/840*	590	1085
FULL FEATURE FLOOR MOUNTED			
GX 2-7 EP	-	-	-
G 7-15 EL	1205/1235*	590	1085
PACK TANK MOUNTED			
GX 2-7 EP	1420	575	1280
G 7-15 EL	1533	590	1332
FULL FEATURE TANK MOUNTED			
GX 2-7 EP	1420	575	1280
G 7-15 EL	1533	590	1332



*Length with inlet grating.

**Dimensions of G 7-15 EL tank mounted are 1935 x 590 x 1463 mm (L x W x H) with a 500 l vessel and 1880 x 590 x 1463 mm (L x W x H) with a 120 gal vessel.

장비 사양

G 7-11/G 15-22/G 30-45/G 55-90 – 60 Hz

COMPRESSOR TYPE	Pressure variant	Max. working pressure		Capacity FAD*			Installed motor power		Noise level**	Weight					
		bar(e)	psi	l/s	m³/min	cfm	kW	hp		Pack Floor		Pack Tank		FF Tank	
										kg	lbs	kg	lbs	kg	lbs
G7	100	74	107	20.3	1.22	43.0	75	10	67	221	487	392	864	435	959
	125	9.1	132	19.0	1.14	40.2	75	10	67	221	487	392	864	435	959
	150	10.8	157	16.9	1.01	35.8	75	10	67	221	487	392	864	435	959
	175	12.5	181	13.1	0.79	27.7	75	10	67	221	487	392	864	435	959
G11	100	74	107	29.1	1.75	61.6	11	15	68	238	525	409	902	452	996
	125	9.1	132	26.6	1.60	56.3	11	15	68	238	525	409	902	452	996
	150	10.8	157	24.3	1.46	51.5	11	15	68	238	525	409	902	452	996
	175	12.5	181	20.0	1.20	42.4	11	15	68	238	525	409	902	452	996
G15	100	74	107	43.5	2.61	92.1	15	20	72	378	833	616	1358	701	1545
	125	9.1	132	39.7	2.38	84.1	15	20	72	378	833	616	1358	701	1545
	150	10.8	157	34.9	2.09	73.9	15	20	72	378	833	616	1358	701	1545
	175	12.5	181	30.0	1.80	63.5	15	20	72	378	833	616	1358	701	1545
G18	100	74	107	52.0	3.12	110.1	18.5	25	72	406	895	644	1420	729	1607
	125	9.1	132	47.2	2.83	100.0	18.5	25	72	406	895	644	1420	729	1607
	150	10.8	157	43.9	2.63	93.0	18.5	25	72	406	895	644	1420	729	1607
	175	12.5	181	38.1	2.29	80.7	18.5	25	72	406	895	644	1420	729	1607
G22	100	74	107	63.6	3.82	134.7	22	30	73	421	928	659	1453	744	1640
	125	9.1	132	59.7	3.58	126.4	22	30	73	421	928	659	1453	744	1640
	150	10.8	157	55.3	3.32	117.1	22	30	73	421	928	659	1453	744	1640
	175	12.5	181	48.7	2.92	103.1	22	30	73	421	928	659	1453	744	1640
G30	100	74	107	90.1	5.41	190.8	30	40	71	674	1486	NA	NA	NA	NA
	125	9.1	132	84.1	5.05	178.1	30	40	71	674	1486	NA	NA	NA	NA
	150	10.8	157	77.1	4.63	163.3	30	40	72	674	1486	NA	NA	NA	NA
G37	100	74	107	116.2	6.97	246.1	37	50	72	754	1662	NA	NA	NA	NA
	125	9.1	132	106.8	6.41	226.2	37	50	72	754	1662	NA	NA	NA	NA
	150	10.8	157	96.4	5.78	204.2	37	50	72	754	1662	NA	NA	NA	NA
G45	100	74	107	138.8	8.33	294.0	45	60	73	768	1693	NA	NA	NA	NA
	125	9.1	132	127.9	7.67	270.9	45	60	73	768	1693	NA	NA	NA	NA
	150	10.8	157	118.1	7.09	250.1	45	60	73	768	1693	NA	NA	NA	NA
G55	100	74	107	174.3	10.46	369.1	55	75	73	1130	2491	NA	NA	NA	NA
	125	9.1	132	154.4	9.26	326.9	55	75	73	1130	2491	NA	NA	NA	NA
	150	10.8	157	141.6	8.50	300.0	55	75	73	1130	2491	NA	NA	NA	NA
G75	100	74	107	224.1	13.45	474.6	75	100	77	1210	2668	NA	NA	NA	NA
	125	9.1	132	200.2	12.01	423.9	75	100	77	1210	2668	NA	NA	NA	NA
	150	10.8	157	189.3	11.36	400.8	75	100	77	1210	2668	NA	NA	NA	NA
G90	100	74	107	276.8	16.61	586.3	90	120	75	1450	3197	NA	NA	NA	NA
	125	9.1	132	253.4	15.20	536.7	90	120	75	1450	3197	NA	NA	NA	NA
	150	10.8	157	232.7	13.96	492.9	90	120	75	1450	3197	NA	NA	NA	NA

G 55-75 V_인버터 적용

COMPRESSOR TYPE	Max. working pressure		Capacity FAD***			Installed motor power		Noise level**	Weight			
	bar(e)	psi	l/s	m³/min	cfm	kW	hp		Pack Floor		Full Feature	
									kg	lbs	kg	lbs
G55V	4	58	66.5-188.0	3,99-11,28	140,9-398,2	55	75	71/73	1200	2425	NA	NA
	7	102	59.0-166.7	3,54-10,00	125,0-353,1	55	75	71/73	1200	2425	NA	NA
	10	145	73.2-146.3	4,39-8,78	154,9-309,9	55	75	71/73	1200	2425	NA	NA
G75V	4	58	81.8-235.3	4,91-14,12	173,2-498,4	75	100	75/77	1270	2800	NA	NA
	7	102	76.8-221,0	4,61-13,26	162,7-468,1	75	100	75/77	1270	2800	NA	NA
	10	145	93,8-187,6	5,63-11,26	198,7-397,3	75	100	75/77	1270	2800	NA	NA

NA: 적용 안됨

* 체적형 압축기 성능검사의 국제기준인 ISO1217 Annex C, Edition 4, 2009에 의거하여 측정된 제품의 성능입니다.

** 소음 레벨 테스트 코드 ISO2151, 편차 3dB(A)에 따라 결정된 값입니다.

다양한 옵션

	G 7-11	G 15-22	G 30-45	G 55-90	G 55-75 V
Upgrade to graphic controller	•	•	•	•	•
Tropical thermostat	•	•	•	•	-
UD+ filter	•	•	-	-	-
DD filter	•	•	-	-	-
Timing drain valve	•	•	-	-	-
Oversized air tank	•	-	-	-	-
Oversized cooler	-	•	-	-	-
Water separator and drain device	-	-	•	•	•

• : Optional

- : Not available

장비 사양

GA 5-7-11

COMPRESSOR TYPE	Working pressure WorkPlace		Capacity FAD* min-max			Installed motor power		Noise level**	Weight (kg)				
	bar(e)	psig	l/s	m³/h	cfm	kW	hp		WorkPlace		WorkPlace Full Feature		
								Floor-mounted	Tank-mounted	Floor-mounted	Tank-mounted		
50 Hz VERSION													
GA 5	7.5	75	109	15.0	54.0	31.7	5.5	75	60	257	317	300	360
	8.5	8.5	123	13.2	475	279	5.5	75	60	257	317	300	360
	10	10	145	11.7	42.1	24.7	5.5	75	60	257	317	300	360
	13	13	189	8.4	30.2	17.7	5.5	75	60	257	317	300	360
GA 7	7.5	75	109	21.0	75.6	44.3	7.5	10	61	270	330	315	375
	8.5	8.5	123	19.6	70.6	41.5	7.5	10	61	270	330	315	375
	10	10	145	17.2	61.9	36.3	7.5	10	61	270	330	315	375
	13	13	189	14.2	51.1	30.0	7.5	10	61	270	330	315	375
GA 11	7.5	75	109	30.7	110.5	64.8	11	15	62	293	353	343	403
	8.5	8.5	123	28.3	101.9	59.7	11	15	62	293	353	343	403
	10	10	145	26.0	93.6	54.9	11	15	62	293	353	343	403
	13	13	189	22.0	79.2	46.5	11	15	62	293	353	343	403

COMPRESSOR TYPE	Max. Working pressure WorkPlace		Capacity FAD* min-max			Installed motor power		Noise level**	Weight (kg)				
	bar(e)	psig	l/s	m³/h	cfm	kW	hp		WorkPlace		WorkPlace Full Feature		
								Floor-mounted	Tank-mounted	Floor-mounted	Tank-mounted		
60 Hz VERSION													
GA 5	100	7.4	107	15.0	54.0	31.7	5.5	75	60	257	317	300	360
	125	9.1	132	13.2	475	279	5.5	75	60	257	317	300	360
	150	10.8	157	11.7	42.1	24.7	5.5	75	60	257	317	300	360
	175	12.5	181	8.4	30.2	17.7	5.5	75	60	257	317	300	360
GA 7	100	7.4	107	21.0	75.6	44.3	7.5	10	61	270	330	315	375
	125	9.1	132	19.6	70.6	41.5	7.5	10	61	270	330	315	375
	150	10.8	157	17.2	61.9	36.3	7.5	10	61	270	330	315	375
	175	12.5	181	14.2	51.1	30.0	7.5	10	61	270	330	315	375
GA 11	100	7.4	107	30.4	109.4	64.1	11	15	62	293	353	343	403
	125	9.1	132	27.0	97.2	57.0	11	15	62	293	353	343	403
	150	10.8	157	24.9	89.6	52.5	11	15	62	293	353	343	403
	175	12.5	181	22.0	79.2	46.4	11	15	62	293	353	343	403

* 체적형 압축기 성능검사의 국제기준인 ISO 1217, Ed. 4, Annex C-2009에 의거하여 측정된 제품의 성능입니다.
 ** 평균 소음 레벨은 1m 거리에서 소음 측정 표준 ISO 2151; 편차 3dB(A)에 따라 결정된 값입니다.

참조 상태:
 - 흡입 압력 1 bar
 - 흡입 공기 온도 20°C

FAD는 다음과 같은 운전 압력에서 측정되었습니다:
 - 7.5 bar 버전은 7 bar
 - 8.5 bar 버전은 8 bar
 - 10 bar 버전은 9.5 bar
 - 13 bar 버전은 12.5 bar

GA 5-7-11 pack (floor-mounted)

GA 5-7-11 pack (tank-mounted)



Floor-mounted



Tank-mounted

장비 사양 GA 15-26

COMPRESSOR TYPE	Max. working pressure					Capacity FAD*			Installed motor power		Noise level**	Weight (kg)	
	WorkPlace		WorkPlace Full Feature			l/s	m³/h	cfm	kW	hp		dB(A)	WorkPlace
	bar(e)	psig	bar(e)	psig	psig								
50 Hz VERSION													
GA 15	7.5	7.5	109	7.3	105	45.7	164.2	96.9	15	20	65	375	529
	8	8.5	116	8.3	120	43.6	157	92.4	15	20	65	375	529
	10	10	145	9.8	141	37.85	136.2	80.2	15	20	65	375	529
	13	13	189	12.8	185	32.4	116.6	68.7	15	20	65	375	529
GA 18	7.5	7.5	109	7.3	105	56.5	203.4	119.8	18.5	25	67	464	559
	8	8.5	116	8.3	120	52.5	189	111.3	18.5	25	67	464	559
	10	10	145	9.8	141	47	169.2	99.6	18.5	25	67	464	559
	13	13	189	12.8	185	39.5	142.2	83.7	18.5	25	67	464	559
GA 22	7.5	7.5	109	7.3	105	64.6	232.6	137	22	30	68	480	575
	8	8.5	116	8.3	120	62.4	224.6	132.3	22	30	68	480	575
	10	10	145	9.8	141	54.2	195.1	114.9	22	30	68	480	575
	13	13	189	12.8	185	47.6	171.4	101	22	30	68	480	575
GA 26	7.5	7.5	109	7.3	105	72.8	262.1	154.3	26	35	69	490	585
	8	8.5	116	8.3	120	70.5	253.8	149.5	26	35	69	490	585
	10	10	145	9.8	141	66.1	238	140.1	26	35	69	490	585
	13	13	189	12.8	185	56.2	202.3	119.1	26	35	69	490	585
60 Hz VERSION													
GA 15	100	7.4	107	7.2	104	45.4	163.4	96.2	15	20	65	375	529
	125	9.1	132	8.9	128	41.5	149.4	88	15	20	65	375	529
	150	10.8	157	10.3	149	38.2	138.5	81	15	20	65	375	529
	175	12.5	181	12.3	178	30.9	111.2	65.5	15	20	65	375	529
GA 18	100	7.4	107	7.2	104	56.5	203.4	119.8	18.5	25	67	464	559
	125	9.1	132	8.9	128	51.8	186.5	109.8	18.5	25	67	464	559
	150	10.8	157	10.3	149	45.6	164.2	96.7	18.5	25	67	464	559
	175	12.5	181	12.3	178	41	147.6	86.9	18.5	25	67	464	559
GA 22	100	7.4	107	7.2	104	66	237.6	139.9	22	30	68	480	575
	125	9.1	132	8.9	128	59.2	213.1	125.5	22	30	68	480	575
	150	10.8	157	10.3	149	53.7	193.3	113.8	22	30	68	480	575
	175	12.5	181	12.3	178	47.8	172.1	101.3	22	30	68	480	575
GA 26	100	7.4	107	7.2	104	74.3	267.5	157.5	26	35	69	490	585
	125	9.1	132	8.9	128	69.2	249.1	146.7	26	35	69	490	585
	150	10.8	157	10.3	149	62.5	225	132.5	26	35	69	490	585
	175	12.5	181	12.3	178	57.6	207.4	122.1	26	35	69	490	585

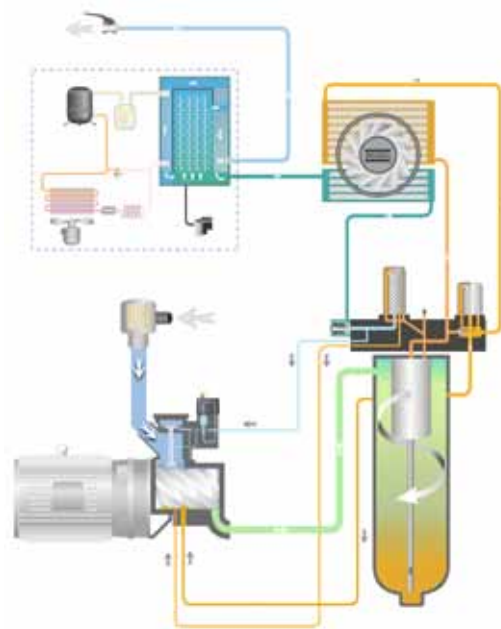


GA 15-26 (STANDARD)

H1: 1558 mm, 61"
 H2: 932 mm, 37"
 L1: 1853 mm, 73"
 L2: 1285 mm, 51"
 W: 680 mm, 27"

GA 15-26 (FULL FEATURE)

H: 1558 mm, 61"
 L: 1853 mm, 73"
 W: 680 mm, 27"



- Intake air
- Air/oil mixture
- Oil
- Wet compressed air
- Condensate
- Dry air
- Gaseous coolant
- Liquid coolant
- Compressed air without free water
- Dry compressed air
- Water
- Refrigerant gas/liquid mixture
- High pressure, hot refrigerant gas
- Low pressure, cool refrigerant gas
- High pressure refrigerant liquid
- Low pressure refrigerant liquid



DIMENSIONS



OPTIONS

- Integrated filter
- Dryer bypass
- Motor thermistors and anti-condensation heaters
- Tropical thermostat
- Freeze protection
- Heavy duty air inlet filter
- Fan Saver Cycle
- Compressor inlet pre-filter
- Rain protection
- Lifting device
- Nema 4 & Nema 4X cubicle
- EQi central control license for 4 or 6 machines (available on Elektronikon® Touch only)
- Food-grade oil
- Roto-Xtend duty oil
- Energy recovery
- Modulating control
- High ambient temperature versions (55°C/131°F for pack, 50°C/122°F for FF)
- Dryer Save Cycle

TECHNICAL SPECIFICATIONS

Compressor type	Max. working pressure				Capacity FAD*			Installed motor power		Noise level**	Weight		
	WorkPlace		WorkPlace Full Feature								Work-Place	WorkPlace Full Feature	
	bar(e)	psig	bar(e)	psig	l/s	m ³ /hr	cfm	kW	hp	dB(A)	kg	kg	
GA 11*													
	100	7.4	107	7.2	104	39.4	141.8	83.5	11	15	68	411	451
	125	9.1	132	8.9	128	34.3	123.5	72.7	11	15	68	411	451
	150	10.8	157	10.6	153	30.4	109.4	64.4	11	15	68	411	451
	175	12.6	183	12.3	179	26.1	94.0	55.3	11	15	68	411	451
GA 15*													
	100	7.4	107	7.2	104	51.9	186.8	110.0	15	20	69	427	483
	125	9.1	132	8.9	128	46.1	166.0	97.7	15	20	69	427	483
	150	10.8	157	10.6	153	40.5	145.8	85.8	15	20	69	427	467
	175	12.6	183	12.3	179	36.0	129.6	76.3	15	20	69	427	467
GA 18*													
	100	7.4	107	7.2	104	63.6	229.0	134.8	18.5	25	69	428	484
	125	9.1	132	8.9	128	56.6	203.8	119.9	18.5	25	69	428	484
	150	10.8	157	10.6	153	51.2	184.3	108.5	18.5	25	69	428	484
	175	12.6	183	12.3	179	45.3	163.1	96.0	18.5	25	69	428	484
GA 22*													
	100	7.4	107	7.2	104	73.8	265.7	156.4	22	30	67	487	545
	125	9.1	132	8.9	128	69.2	249.1	146.6	22	30	67	487	545
	150	10.8	157	10.6	153	63.0	226.8	133.5	22	30	67	487	545
	175	12.6	183	12.3	179	58.1	209.2	123.1	22	30	67	487	545
GA 26*													
	100	7.4	107	7.2	104	85.3	307.1	180.7	26	35	68	490	548
	125	9.1	132	8.9	128	80.6	290.2	170.8	26	35	68	490	548
	150	10.8	157	10.6	153	72.7	261.7	154.0	26	35	68	490	545
	175	12.6	183	12.3	179	66.1	238.0	140.1	26	35	68	490	545
GA 30													
	100	7.4	107	7.2	104	93.8	337.7	198.8	30	40	70	509	567
	125	9.1	132	8.9	128	90.4	325.4	191.5	30	40	70	509	567
	150	10.8	157	10.6	153	83.7	301.3	177.4	30	40	70	509	567
	175	12.6	183	12.3	179	75.8	272.9	160.6	30	40	70	509	567

* Unit performance measured according to ISO 1217, Annex C, latest edition.

** Mean noise level measured according to ISO 2151/Pneuro/Cagi PN6NTC2 test code; tolerance 2 dB(A).

Reference conditions:

- Absolute inlet pressure 1 bar (14.5 psi)
- Intake air temperature 20°C/68°F

FAD is measured at the following working pressures:

- 7.5 bar versions at 7 bar
- 8 bar versions at 8 bar
- 10 bar versions at 9.5 bar
- 13 bar versions at 12.5 bar

Pressure dewpoint of integrated refrigerant dryer of GA 11* - GA 15* - GA 18* - GA 22* - GA 26* - GA 30 at reference conditions 2°C to 3°C/36°F to 37°F.

장비 사양

GA 30⁺-90 (50 HZ VERSIONS)

COMPRESSOR TYPE	Pressure variant	Max. working pressure WorkPlace		Capacity FAD*			Installed motor power		Noise level**	Weight WorkPlace		Weight WorkPlace Full Feature	
		bar(e)	psig	l/s	m ³ /hr	cfm	kW	hp		kg	lbs	kg	lbs
GA 30 ⁺	7.5	7.5	109	99	357	210	30	40	65	626	1380	796	1755
	8.5	8.5	123	91	327	193	30	40	65	626	1380	796	1755
	10	10	145	82	294	173	30	40	65	626	1380	796	1755
	13	13	189	71	254	150	30	40	65	626	1380	796	1755
GA 37	7.5	7.5	109	116	419	247	37	50	67	683	1506	853	1881
	8.5	8.5	123	108	390	229	37	50	67	683	1506	853	1881
	10	10	145	102	367	216	37	50	67	683	1506	853	1881
	13	13	189	89	319	188	37	50	67	683	1506	853	1881
GA 37 ⁺	7.5	7.5	109	122	438	258	37	50	65	902	1989	987	2176
	8.5	8.5	123	118	426	250	37	50	65	902	1989	987	2176
	10	10	145	102	366	216	37	50	65	902	1989	987	2176
	13	13	189	85	306	180	37	50	65	902	1989	987	2176
GA 45	7.5	7.5	109	137	493	290	45	60	68	692	1526	900	1984
	8.5	8.5	123	129	464	273	45	60	68	692	1526	900	1984
	10	10	145	119	428	252	45	60	68	692	1526	900	1984
	13	13	189	104	373	220	45	60	68	692	1526	900	1984
GA 45 ⁺	7.5	7.5	109	149	534	315	45	60	66	970	2138	1060	2337
	8.5	8.5	123	139	498	295	45	60	66	970	2138	1060	2337
	10	10	145	128	462	270	45	60	66	970	2138	1060	2337
	13	13	189	106	384	225	45	60	66	970	2138	1060	2337
GA 55	7.5	7.5	109	169	612	359	55	75	69	1229	2709	1329	2930
	8.5	8.5	123	159	570	336	55	75	69	1229	2709	1329	2930
	10	10	145	148	534	313	55	75	69	1229	2709	1329	2930
	13	13	189	126	456	267	55	75	69	1229	2709	1329	2930
GA 55 ⁺	7.5	7.5	109	184	666	390	55	75	66	1358	2994	1458	3214
	8.5	8.5	123	174	624	369	55	75	66	1358	2994	1458	3214
	10	10	145	156	570	331	55	75	66	1358	2994	1458	3214
GA 75	7.5	7.5	109	226	810	478	75	100	73	1259	2776	1379	3040
	8.5	8.5	123	209	756	444	75	100	73	1259	2776	1379	3040
	10	10	145	189	684	401	75	100	73	1259	2776	1379	3040
GA 75 ⁺	7.5	7.5	109	248	894	526	75	100	68	1413	3115	1533	3380
	8.5	8.5	123	235	846	497	75	100	68	1413	3115	1533	3380
	10	10	145	210	756	445	75	100	68	1413	3115	1533	3380
GA 90	7.5	7.5	109	281	1014	596	90	125	73	1425	3142	1545	3406
	8.5	8.5	123	275	990	582	90	125	73	1425	3142	1545	3406
	10	10	145	250	900	529	90	125	73	1425	3142	1545	3406
	13	13	189	216	780	458	90	125	73	1425	3142	1545	3406

* Unit performance measured according to ISO 1217, Annex C, Edition 4:2009.

Reference conditions:

- ▶ Absolute inlet pressure 1 bar (14.5 psi)
- ▶ Intake air temperature 20°C, 68°F

FAD is measured at the following working pressures:

- ▶ 7.5 bar versions at 7 bar
- ▶ 8.5 bar versions at 8 bar
- ▶ 10 bar versions at 9.5 bar
- ▶ 13 bar versions at 12.5 bar

** A-weighted emission sound pressure level at the work station, Lp WSA (re 20 µPa) dB (with uncertainty 3 dB).

Values determined according to noise level test code ISO 2151 and noise measurement standard ISO 9614.

Pressure dew point of integrated refrigerant dryer at reference conditions: 2°C to 3°C, 36°F to 37°F.



30⁺/37/45 PACK

Width 890 mm, 51.5"
Depth 1,310 mm, 35.0"
Height 1,790 mm, 70.5"



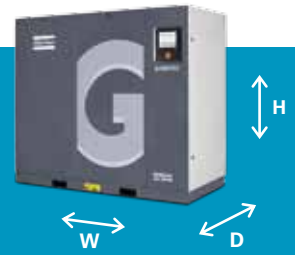
30⁺/37/45 FULL FEATURE

Width 890 mm, 71.6"
Depth 1,810 mm, 35.0"
Height 1,790 mm, 70.5"



37/45 VSD 37⁺/45⁺

Width 1,766 mm, 69.5"
Depth 970 mm, 38.2"
Height 1,800 mm, 70.9"



55/75/90 VSD 55⁺/75⁺/55/75/90

Width 2,248 mm, 88.5"
Depth 1,080 mm, 42.5"
Height 1,955 mm, 76.9"

장비 사양

GA 30⁺-90 (60 HZ VERSIONS)

COMPRESSOR TYPE	Pressure variant	Max. working pressure WorkPlace		Capacity FAD*			Installed motor power		Noise level**	Weight WorkPlace		Weight WorkPlace Full Feature	
		bar(e)	psig	l/s	m ³ /hr	cfm	kW	hp		kg	lbs	kg	lbs
GA 30 ⁺	100	7.4	107	100	360	212	30	40	65	817	1801	898	1980
	125	9.1	132	91	326	192	30	40	65	817	1801	898	1980
	150	10.8	157	82	296	174	30	40	65	817	1801	898	1980
	175	12.5	181	75	269	158	30	40	65	817	1801	898	1980
GA 37	100	7.4	107	116	418	246	37	50	69	905	1995	820	1808
	125	9.1	132	108	389	229	37	50	69	905	1995	820	1808
	150	10.8	157	96	347	204	37	50	69	905	1995	820	1808
	175	12.5	181	87	314	185	37	50	69	905	1995	820	1808
GA 37 ⁺	100	7.4	107	120	433	255	37	50	65	905	1995	987	2176
	125	9.1	132	111	398	234	37	50	65	905	1995	987	2176
	150	10.8	157	100	361	212	37	50	65	905	1995	987	2176
	175	12.5	181	91	327	192	37	50	65	905	1995	987	2176
GA 45	100	7.4	107	139	500	294	45	60	72	894	1971	979	2158
	125	9.1	132	128	461	271	45	60	72	894	1971	979	2158
	150	10.8	157	118	425	250	45	60	72	894	1971	979	2158
	175	12.5	181	105	378	222	45	60	72	894	1971	979	2158
GA 45 ⁺	100	7.4	107	146	527	310	45	60	66	970	2138	1060	2337
	125	9.1	132	134	483	284	45	60	66	970	2138	1060	2337
	150	10.8	157	126	453	266	45	60	66	970	2138	1060	2337
	175	12.5	181	111	401	236	45	60	66	970	2138	1060	2337
GA 55	100	7.4	107	174	627	369	55	75	69	1229	2709	1329	2930
	125	9.1	132	154	556	327	55	75	69	1229	2709	1329	2930
	150	10.8	157	142	510	300	55	75	69	1229	2709	1329	2930
	175	12.5	181	128	462	272	55	75	69	1229	2709	1329	2930
GA 55 ⁺	100	7.4	107	184	663	390	55	75	67	1358	2994	1458	3214
	125	9.1	132	166	598	352	55	75	67	1358	2994	1458	3214
	150	10.8	157	141	508	299	55	75	67	1358	2994	1458	3214
	175	12.5	181	128	462	272	55	75	69	1229	2709	1329	2930
GA 75	100	7.4	107	229	825	485	75	100	73	1259	2776	1359	2996
	125	9.1	132	200	721	424	75	100	73	1259	2776	1359	2996
	150	10.8	157	189	681	401	75	100	73	1259	2776	1359	2996
	175	12.5	181	169	608	358	75	100	73	1259	2776	1359	2996
GA 75 ⁺	100	7.4	107	248	892	525	75	100	69	1413	3115	1533	3380
	125	9.1	132	227	818	481	75	100	69	1413	3115	1533	3380
	150	10.8	157	204	735	433	75	100	69	1413	3115	1533	3380
	175	12.5	181	182	653	385	75	100	69	1413	3115	1533	3380
GA 90	100	7.4	107	289	1042	613	90	125	74	1425	3142	1545	3406
	125	9.1	132	267	960	565	90	125	74	1425	3142	1545	3406
	150	10.8	157	250	900	530	90	125	74	1425	3142	1545	3406
	175	12.5	181	228	822	484	90	125	74	1425	3142	1545	3406

Please refer to the footnotes, reference conditions and FAD details of the 50 Hz versions.

장비 사양

GA 37-90 VSD (50/60 HZ VERSIONS)

COMPRESSOR TYPE	Working pressure		Capacity FAD*						Installed motor power		Noise level**	Weight WorkPlace		Weight WorkPlace Full Feature	
			l/s		m ³ /hr		cfm								
	bar(e)	psig	min	max	min	max	min	max	kW	hp	dB(A)	kg	lbs	kg	lbs
GA 37 VSD	4	58	26.0	124	94	446	55	263	37	50	66/67	1042	2297	1127	2485
	7	102	26.0	123	93	443	55	260	37	50	66/67	1042	2297	1127	2485
	10	145	25.8	107	93	385	55	226	37	50	66/67	1042	2297	1127	2485
	13	189	40.3	87	145	313	85	185	37	50	66/67	1042	2297	1127	2485
GA 45 VSD	4	58	26.0	146	94	526	55	310	45	60	69/72	1100	2425	1190	2624
	7	102	26.0	145	93	522	55	307	45	60	69/72	1100	2425	1190	2624
	10	145	25.8	128	93	461	55	271	45	60	69/72	1100	2425	1190	2624
	13	189	40.3	107	145	385	85	226	45	60	69/72	1100	2425	1190	2624
GA 55 VSD	4	58	32.4	197	116	709	69	418	55	75	69/72	1380	3042	1480	3263
	7	102	26.0	175	94	630	55	371	55	75	69/72	1380	3042	1480	3263
	10	145	25.4	155	92	558	54	328	55	75	69/72	1380	3042	1480	3263
	13	189	37.0	129	133	464	78	273	55	75	69/72	1380	3042	1480	3263
GA 75 VSD	4	58	37.8	250	136	900	80	529	75	100	69/70	1534	3382	1654	3646
	7	102	37.4	250	135	900	79	530	75	100	69/70	1534	3382	1654	3646
	10	145	48.1	219	173	788	102	465	75	100	69/70	1534	3382	1654	3646
	13	189	58.3	182	210	655	124	386	75	100	69/70	1534	3382	1654	3646
GA 90 VSD	4	58	37.0	293	133	1055	78	621	90	125	73/74	1534	3382	1654	3646
	7	102	39.4	292	142	1051	84	619	90	125	73/74	1534	3382	1654	3646
	10	145	48.3	257	174	925	102	545	90	125	73/74	1534	3382	1654	3646
	13	189	59.4	214	214	770	126	454	90	125	73/74	1534	3382	1654	3646

* Unit performance measured according to ISO 1217, Annex E, Edition 4:2009. Maximum working pressure for VSD machines: 13 bar(e) (188 psig).

장비 사양 GA 37-75 VSD+

Type	Working pressure		Capacity FAD* (min-max)						Installed motor power		Noise level**	Weight WorkPlace	Weight WorkPlace Full Feature
	bar(e)	psig	l/s	m³/hr	cfm	kW	hp	dB(A)	kg	kg			
50/60 Hz version													
GA 37 VSD+	4	58	26	132	94	475	55	280	37	50	67	860	1060
	7	102	26	130	94	468	55	275	37	50	67	860	1060
	9.5	138	25	115	90	414	53	244	37	50	67	860	1060
	12.5	181	38	98	137	353	81	208	37	50	67	860	1060
GA 45 VSD+	4	58	26	157	94	565	55	333	45	60	67	860	1060
	7	102	26	155	94	558	55	328	45	60	67	860	1060
	9.5	138	25	136	90	490	53	288	45	60	67	860	1060
	12.5	181	38	114	137	410	81	242	45	60	67	860	1060
GA 55 VSD+	4	58	26	189	94	680	55	400	55	75	67	900	1100
	7	102	26	188	94	677	55	398	55	75	67	900	1100
	9.5	138	26	166	94	598	55	352	55	75	67	900	1100
	12.5	181	40	140	144	504	85	297	55	75	67	900	1100
GA 75 VSD+	4	58	26	226	94	814	55	479	75	100	70	920	1120
	7	102	27	225	97	810	57	477	75	100	70	920	1120
	9.5	138	27	198	97	713	57	420	75	100	70	920	1120
	12.5	181	41	167	148	601	87	354	75	100	70	920	1120

* Unit performance measured according ISO 1217 ed. 4 2009, annex E, latest edition.

** Mean noise level measured at a distance of 1 m according to ISO 2151: 2004 using ISO 9614/2 (sound intensity method); tolerance 3 dB(A).

Reference conditions:

- Absolute inlet pressure 1 bar (14.5 psi).

- Intake air temperature 20°C, 68°F

FAD is measured at the following effective working pressures:

- 4 bar(e)

- 7 bar(e)

- 9.5 bar(e)

- 12.5 bar(e)

Maximum working pressure: 13 bar(e) (188 psig)

다양한 옵션

Energy recovery
Pre-filter
Tropical thermostat
FoodGrade oil
UD+ filter
RXD oil
ES4i, ES6i
Transformer sales kit 200-230V / 500-575V
High ambient version
Power duct fan (standard on GA 75 VSD+, optional on GA 37-55 VSD+)



DIMENSIONS	Standard						Full Feature					
	D (mm)	W (mm)	H (mm)	D (in)	W (in)	H (in)	D (mm)	W (mm)	H (mm)	D (in)	W (in)	H (in)
GA 37-75 VSD+	1100	1153	1968	43.31	45.39	77.48	1100	1656	1968	43.31	65.20	77.48

장비 사양 GA 75-110 VSD+

Type	Working pressure		Capacity FAD* (min-max)			Installed motor power		Noise level**	Weight WorkPlace	Weight WorkPlace Full Feature
	bar(e)	psig	l/s	m³/hr	cfm	kW	hp	dB(A)	kg	kg
50/60 Hz version										
GA 75 VSD+	4	58	47-269	169-967	100-569	75	100	73	1207	1496
	7	102	48-266	172-957	101-563	75	100	73	1207	1496
	9.5	138	58-235	210-847	124-498	75	100	73	1207	1496
	12.5	181	70-194	252-699	149-411	75	100	73	1207	1496
GA 90 VSD+	4	58	48-311	174-1121	102-660	90	125	74	1213	1503
	7	102	49-306	176-1101	104-648	90	125	74	1213	1503
	9.5	138	60-269	215-969	127-570	90	125	74	1213	1503
	12.5	181	71-218	255-784	150-461	90	125	74	1213	1503
GA 110 VSD+	4	58	47-348	170-1251	100-736	110	150	76	1222	1573
	7	102	49-345	175-1241	103-731	110	150	76	1222	1573
	9.5	138	59-309	211-1111	124-654	110	150	76	1222	1573
	12.5	181	71-268	254-965	150-568	110	150	76	1222	1573

* Unit performance measured according ISO 1217 ed. 4 2009, annex E, latest edition.

** Mean noise level measured at a distance of 1 m at max. working pressure according to ISO 2151: 2004 using ISO 9614/2 (sound intensity method); tolerance 3 dB(A).

Reference conditions:

- Absolute inlet pressure 1 bar (14.5 psi).
- Intake air temperature 20°C/68°F

FAD is measured at the following effective working pressures:

- 4 bar(e)
- 7 bar(e)
- 9.5 bar(e)
- 12.5 bar(e)

Maximum working pressure: 13 bar(e) (188 psig)

다양한 옵션

Energy recovery
Pre-filter
Tropical thermostat
FoodGrade oil
UD+ filter
RXD oil
ES4i, ES6i
Transformer sales kit 200-230V/500-575V
High ambient version
Power duct fan



DIMENSIONS	Standard						Full Feature					
	D (mm)	W (mm)	H (mm)	D (in)	W (in)	H (in)	D (mm)	W (mm)	H (mm)	D (in)	W (in)	H (in)
GA 75-110 VSD+	1400	1300	1968	55.12	51.18	77.48	2178	1300	1968	85.75	51.18	77.48